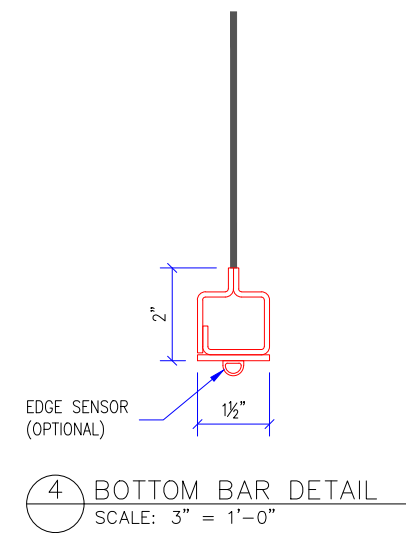
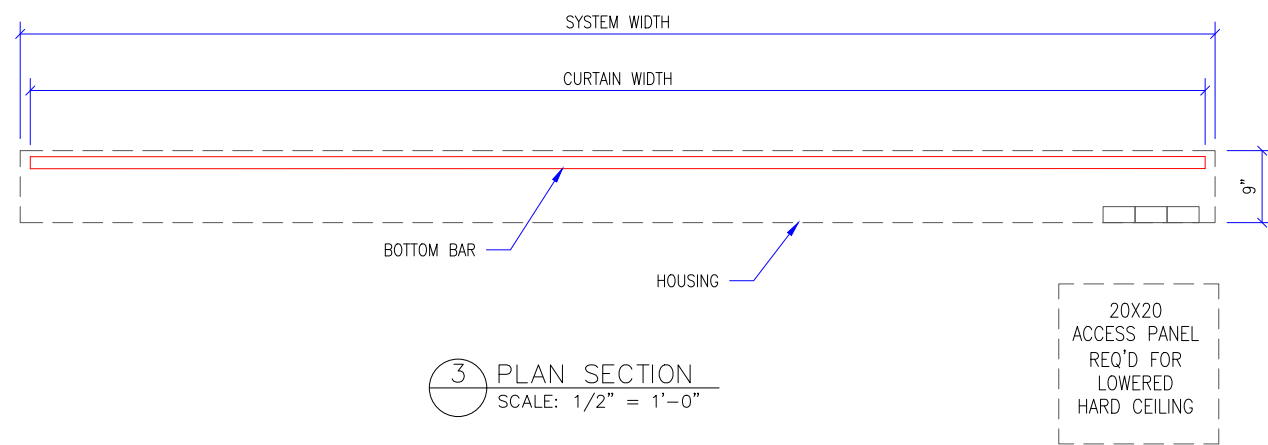
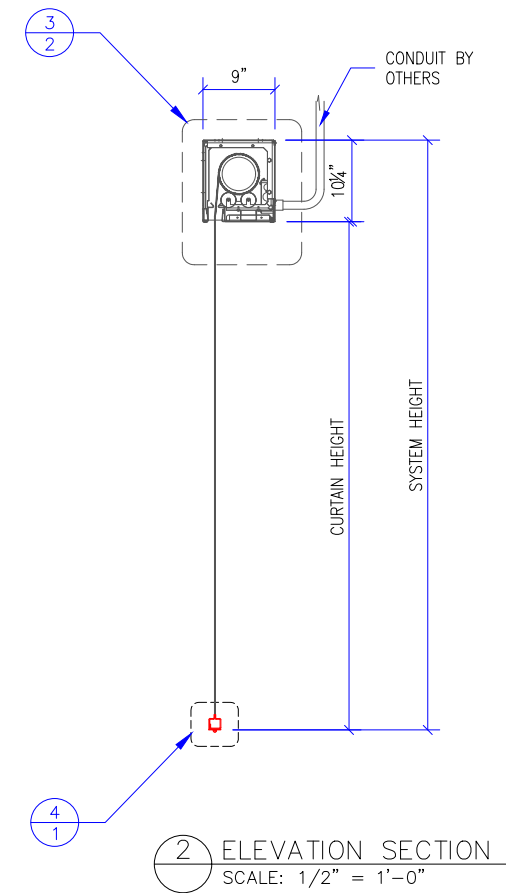
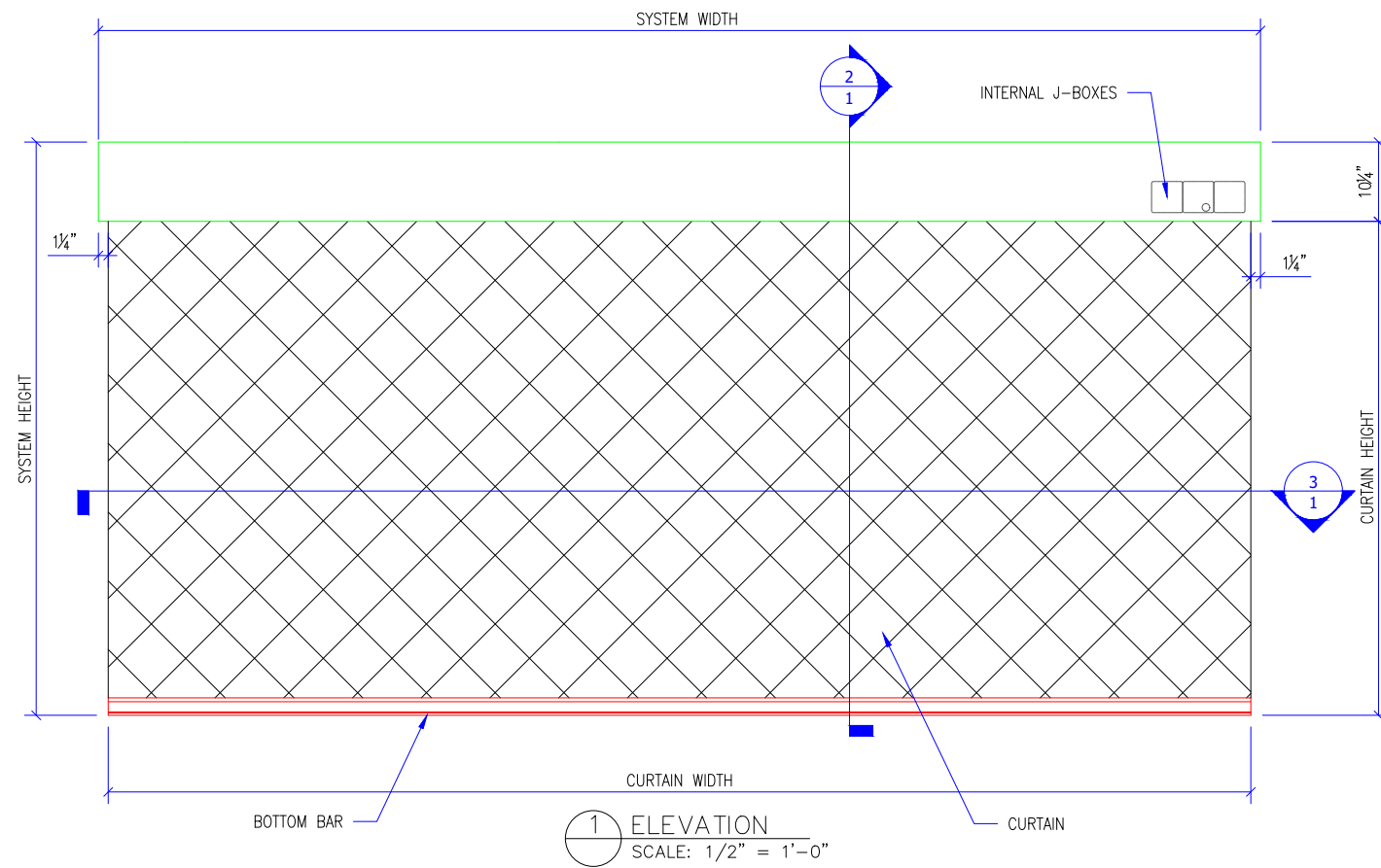


M2500DRAFT DISCLAIMER:  
 1. VERTICAL DRAFT CURTAINS WITHOUT SIDE GUIDES ARE DESIGNED TO LIMIT THE MOVEMENT OF SMOKE AS PART OF AN ENGINEERED SOLUTION.  
 2. SITE-SPECIFIC CONDITIONS SUCH AS LATERAL LOADS FROM HVAC, SMOKE EVACUATION SYSTEMS AND WIND CAN AFFECT THE RELIABLE OPERATION OF SMOKE GUARD UNITS  
 3. WHEN DESIGNING THE SMOKE CONTROL SYSTEM FOR THE BUILDING, IT IS IMPORTANT TO CONSIDER THE TIMING OF THE SMOKE GUARD VERTICAL DRAFT CURTAIN DEPLOYMENT IN CONJUNCTION WITH THESE SITE-SPECIFIC CONDITIONS AND IS THE RESPONSIBILITY OF THE BUILDING PROJECT ARCHITECT AND ENGINEER.  
 4. DIFFERENTIAL PRESSURE ON SMOKE GUARD VERTICAL DRAFT CURTAINS CAN CAUSE BILLOWING/SWAYING AND SHALL BE MINIMIZED FOR RELIABLE DEPLOYMENT.



REVISION

REVISION NUMBER	REVISION DATE	REVISION DESCRIPTION
01	7.28.20	INITIAL RELEASE

QUOTE:  
 CONFIGURATION:  
 PROJECT:  
 DIST.:

DESIGN SET: D1

MODEL: M2500D

M2500D ELEVATION PLAN AND SECTION

DRAWN: TLM 7.28.2020

SIZE

**B**

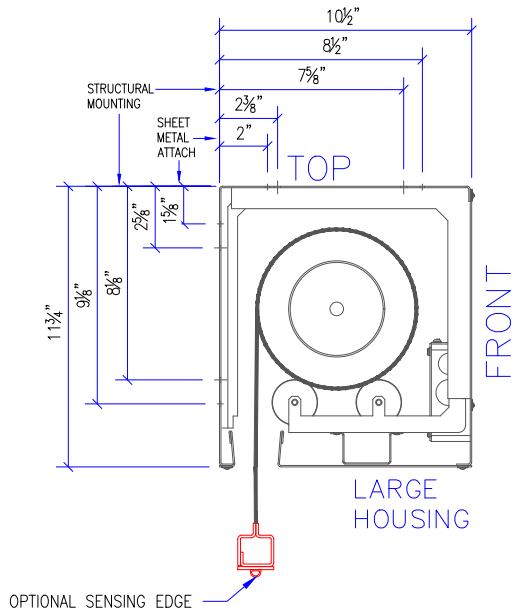
SHEET

1 OF 3

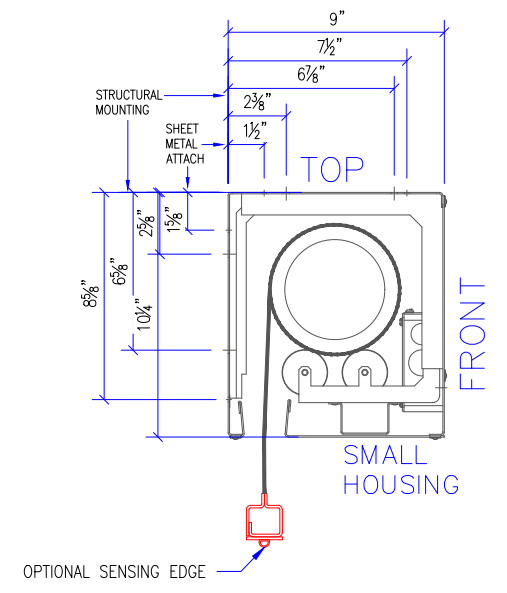
M2500 MOUNTING NOTES  
THE FOLLOWING APPLY FOR EITHER OVERHEAD OR REAR MOUNTED SYSTEMS:

STRUCTURAL ATTACHMENT—  
CLIENT TO PROVIDE SUFFICIENT BACKING FOR LOADS GIVEN PER UNIT.  
STRUCTURAL ATTACHMENT LOCATIONS OCCUR AT 18" FROM EACH END,  
AND THEN NO MORE THAN 9'-5" ON CENTERS — SEE SHOP DRAWINGS  
FOR YOUR SPECIFIC HOUSING. HOLES FOR (2) ¼" FASTENERS  
PROVIDED AT EACH LOCATION

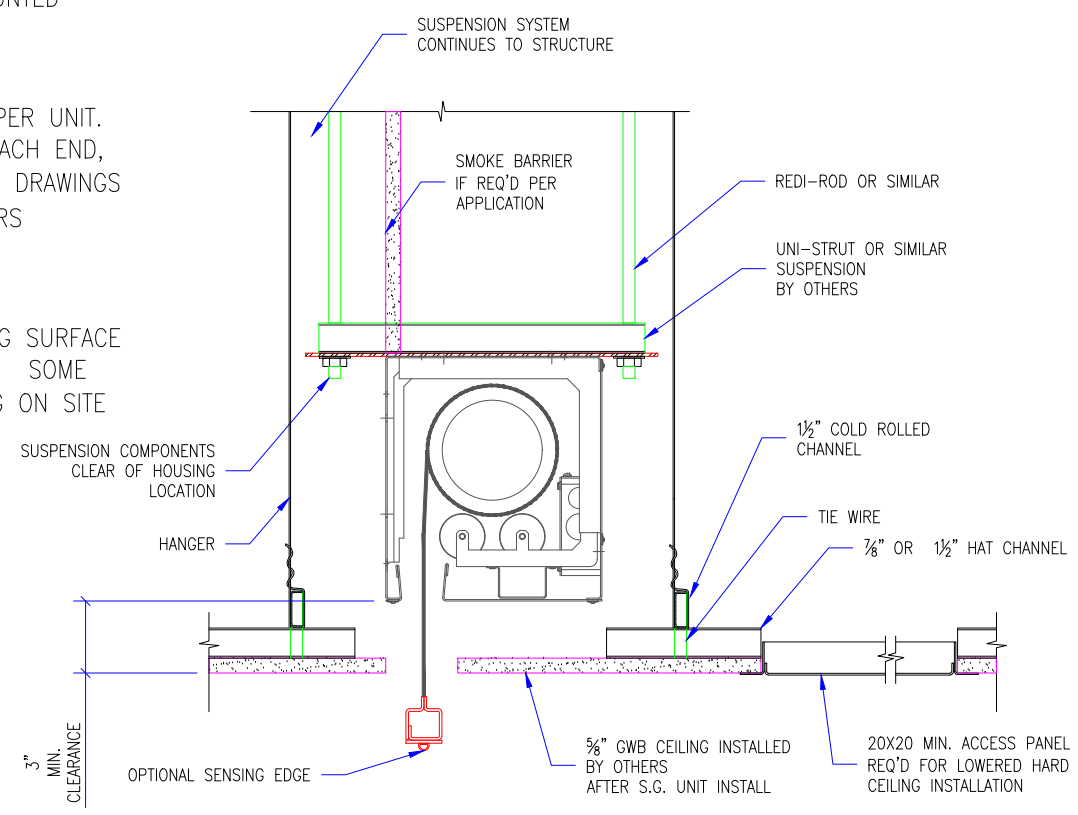
SHEETMETAL ATTACHMENT—  
HOUSINGS MUST BE SECURED TO BACKING ON THE MOUNTING SURFACE  
AT NO MORE 48" ON CENTER, (2) FASTENERS PER LOCATION. SOME  
HOLES FOR #10 SCREWS PROVIDED, SOME REQUIRE DRILLING ON SITE



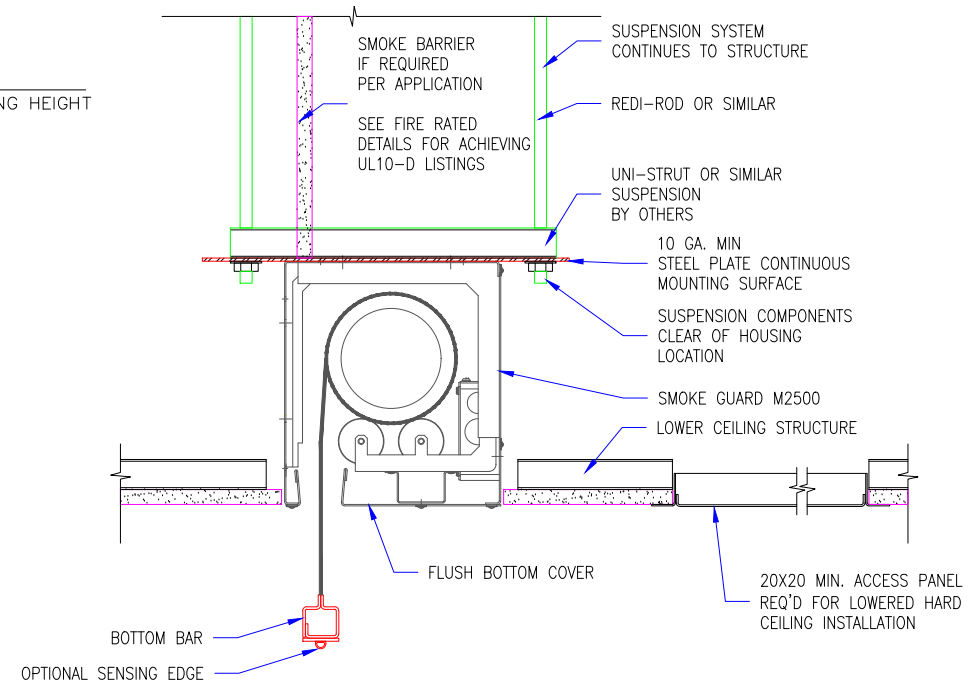
4 M2500 LARGE HOUSING DIMENSIONS  
SCALE: 1 1/2" = 1'-0" 12' AND GREATER CLEAR OPENING HEIGHT



3 M2500 SMALL HOUSING DIMENSIONS  
SCALE: 1 1/2" = 1'-0" UNDER 12' CLEAR OPENING HEIGHT



2 M2500 DROPPED CEILING SMOKE RATED SHOWN  
SCALE: 1 1/2" = 1'-0"



1 M2500 FLUSH COVER— SMOKE RATED SHOWN  
SCALE: 1 1/2" = 1'-0"



287 N. Maple Grove  
Boise, ID 83704  
800.574.0330  
www.smokeguard.com

- M2500DRAFT DISCLAIMER:
1. VERTICAL DRAFT CURTAINS WITHOUT SIDE GUIDES ARE DESIGNED TO LIMIT THE MOVEMENT OF SMOKE AS PART OF AN ENGINEERED SOLUTION.
  2. SITE-SPECIFIC CONDITIONS SUCH AS LATERAL LOADS FROM HVAC, SMOKE EVACUATION SYSTEMS AND WIND CAN AFFECT THE RELIABLE OPERATION OF SMOKE GUARD UNITS
  3. WHEN DESIGNING THE SMOKE CONTROL SYSTEM FOR THE BUILDING, IT IS IMPORTANT TO CONSIDER THE TIMING OF THE SMOKE GUARD VERTICAL DRAFT CURTAIN DEPLOYMENT IN CONJUNCTION WITH THESE SITE-SPECIFIC CONDITIONS AND IS THE RESPONSIBILITY OF THE BUILDING PROJECT ARCHITECT AND ENGINEER.
  4. DIFFERENTIAL PRESSURE ON SMOKE GUARD VERTICAL DRAFT CURTAINS CAN CAUSE BILLOWING/SWAYING AND SHALL BE MINIMIZED FOR RELIABLE DEPLOYMENT.

REVISION

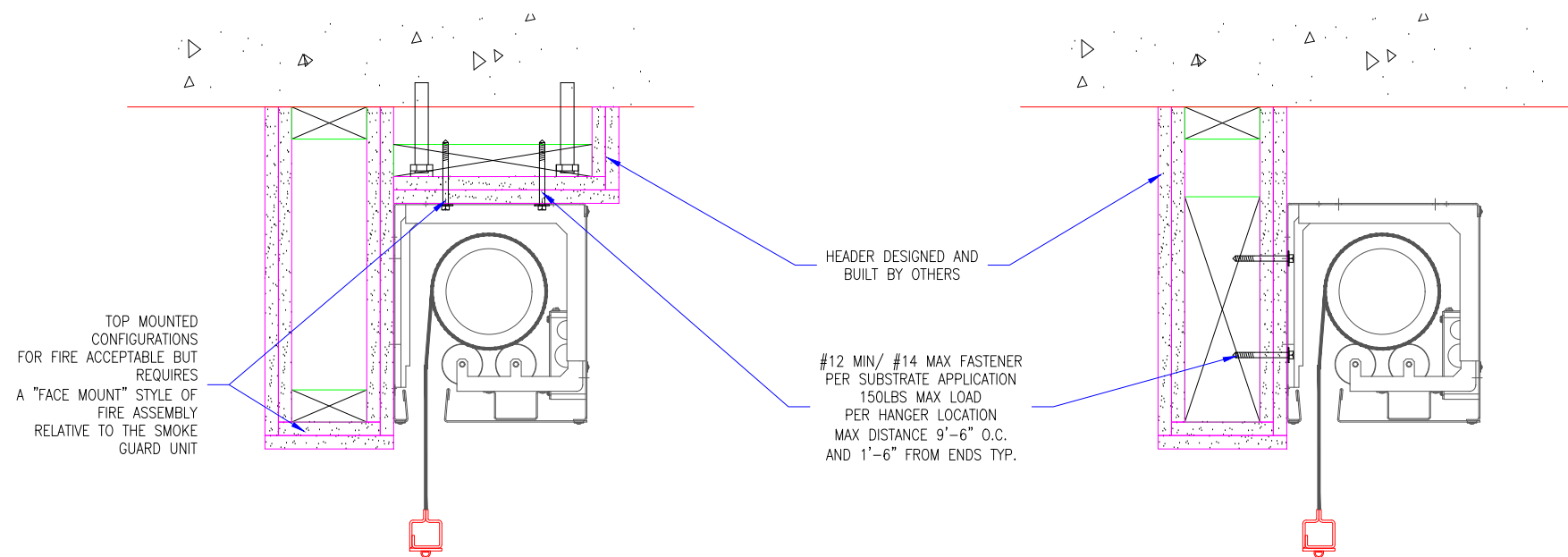
REVISION NUMBER	REVISION DATE	REVISION DESCRIPTION
01	7.28.20	INITIAL RELEASE

QUOTE:  
CONFIGURATION:  
PROJECT:  
DIST.:

DESIGN SET: D1	SIZE <b>B</b>
MODEL: M2500D	SHEET 2 OF 3
M2500 MOUNTING DETAILS	
DRAWN: TLM	7.28.2020

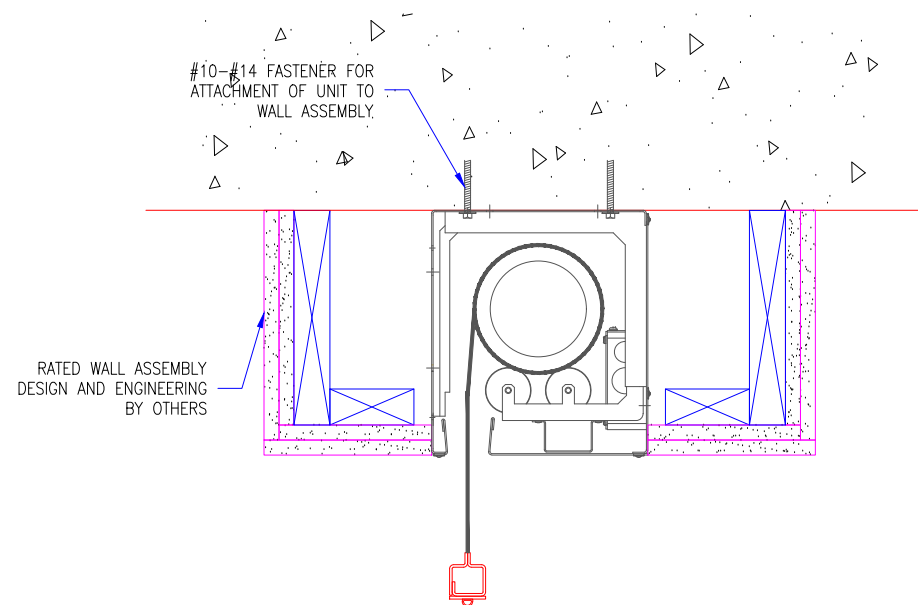
PAPER SIZE: 11" X 17"

M2500DRAFT DISCLAIMER:  
 1. VERTICAL DRAFT CURTAINS WITHOUT SIDE GUIDES ARE DESIGNED TO LIMIT THE MOVEMENT OF SMOKE AS PART OF AN ENGINEERED SOLUTION.  
 2. SITE-SPECIFIC CONDITIONS SUCH AS LATERAL LOADS FROM HVAC, SMOKE EVACUATION SYSTEMS AND WIND CAN AFFECT THE RELIABLE OPERATION OF SMOKE GUARD UNITS  
 3. WHEN DESIGNING THE SMOKE CONTROL SYSTEM FOR THE BUILDING, IT IS IMPORTANT TO CONSIDER THE TIMING OF THE SMOKE GUARD VERTICAL DRAFT CURTAIN DEPLOYMENT IN CONJUNCTION WITH THESE SITE-SPECIFIC CONDITIONS AND IS THE RESPONSIBILITY OF THE BUILDING PROJECT ARCHITECT AND ENGINEER.  
 4. DIFFERENTIAL PRESSURE ON SMOKE GUARD VERTICAL DRAFT CURTAINS CAN CAUSE BILLING/SWAYING AND SHALL BE MINIMIZED FOR RELIABLE DEPLOYMENT.



3 HEADBOX AT ROLLER- TOP MOUNT  
SCALE: 1 1/2" = 1'-0"  
APPROVED FIRE RATED INSTALLATION

1 HEADBOX AT ROLLER- FACE MOUNT  
SCALE: 1 1/2" = 1'-0"  
APPROVED FIRE RATED INSTALLATION



2 TOP MOUNT W/ FLUSH COVER  
SCALE: 1 1/2" = 1'-0"  
APPROVED FIRE RATED INSTALLATION

REVISION

REVISION NUMBER	REVISION DATE	REVISION DESCRIPTION
01	7.28.20	INITIAL RELEASE

QUOTE:  
CONFIGURATION:  
PROJECT:  
DIST.:

DESIGN SET: D1

MODEL: M2500D

M2500 MOUNTING DETAILS

DRAWN: TLM 7.28.2020

SIZE

**B**

SHEET

3 OF 3