



Electrical Turnover Guide

The contractor's guide to wiring Model 200 and Model 400
Smoke Guard® Systems.

Step 1: Install a smoke detector circuit
with end-of-line diode.
(24 VDC, 40mA in monitoring mode,
no voltage or amps in alarm mode)

Step 2: Provide 120 VAC. (60 Hz, 2A max)

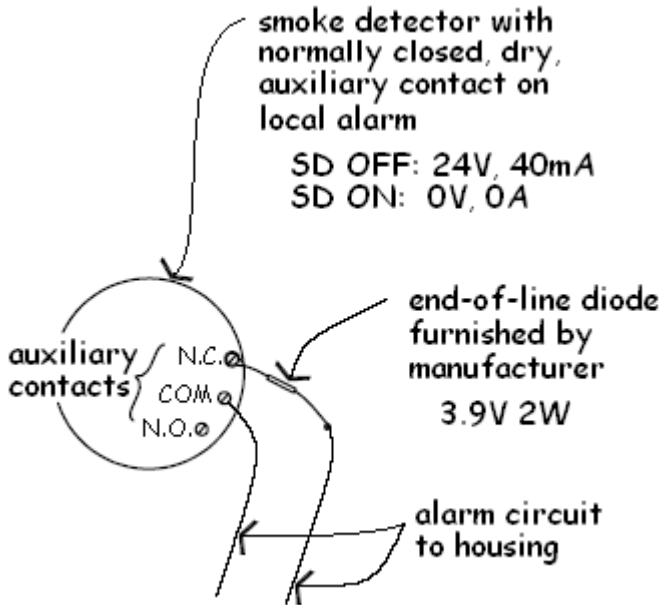
Step 3: Switch service disconnect switch
inside unit to ON.

Also see the wiring diagram on the back of this guide.

If you have questions call Technical Services at:

800-215-6138

Step 1



If you have units in close proximity to each other, you can wire up to 4 units to a single smoke detector (see back page).

Provide a normally CLOSED, DRY, auxiliary contact that is activated when the smoke detector goes into alarm (but NOT when there is a general building alarm).

Locate the 3.9v, 2w bi-directional zener end-of-line diode that the manufacturer furnishes. You'll find the diode in the junction box on the side of the housing.

Install the diode in series with the auxiliary contact.

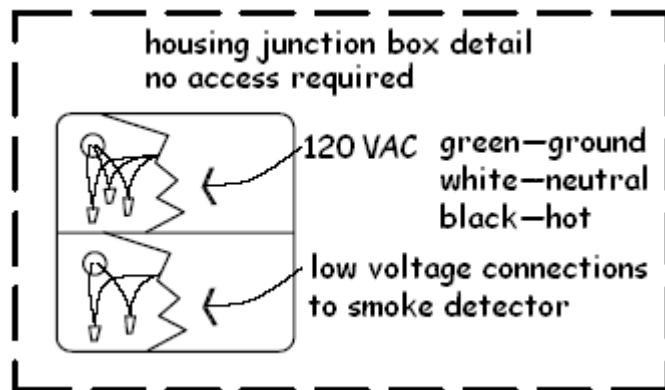
NOTE: For the unit to function properly, install the end-of-line diode directly to the initiating contact, NOT at the housing.

Complete the circuit to the low voltage wires in the junction box on the left side of the housing.

Step 2

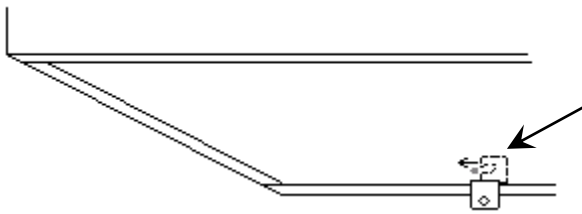
Pull wire through to the housing, and establish a connection to the high voltage wires in the housing junction box.

NOTE: The manufacturer furnishes a pigtail for use during installation. Remove the pigtail if it is still attached.

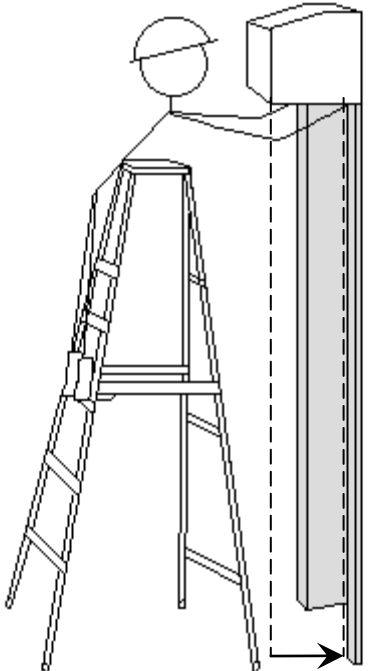


Step 3

When the unit is wired, you are ready to connect 120VAC to the unit using the power switch inside the housing.

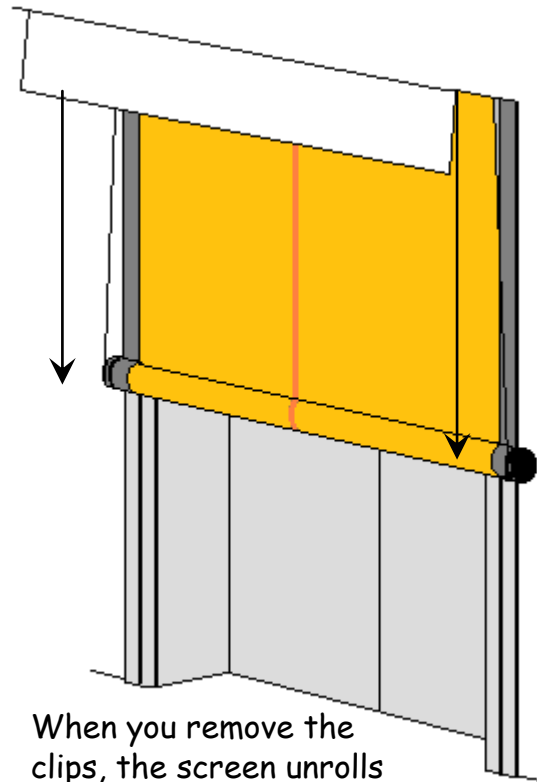


NOTE: The unit deploys in the continued absence of power. The installer leaves two clips that temporarily hold the screen in the housing until you are ready to turn on the power.



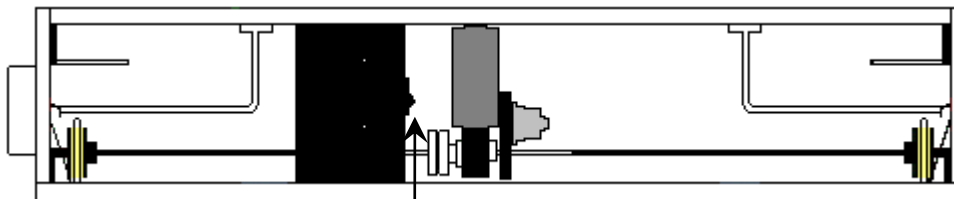
KEEP CLEAR

Clear the area directly under the housing. Slide the clips to the right and remove them.



When you remove the clips, the screen unrolls out of the housing to the floor.

view looking up into the housing



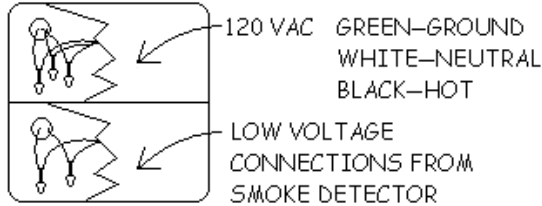
power switch

Inside the housing, turn the power ON using the switch on the side of the control circuit board cover.

STAND BACK

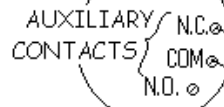
It takes about three seconds for the screen to begin to rewind. If not equipped with a door closing mechanism, close the door manually behind the screen.

HOUSING JUNCTION BOX DETAIL
NO ACCESS REQUIRED



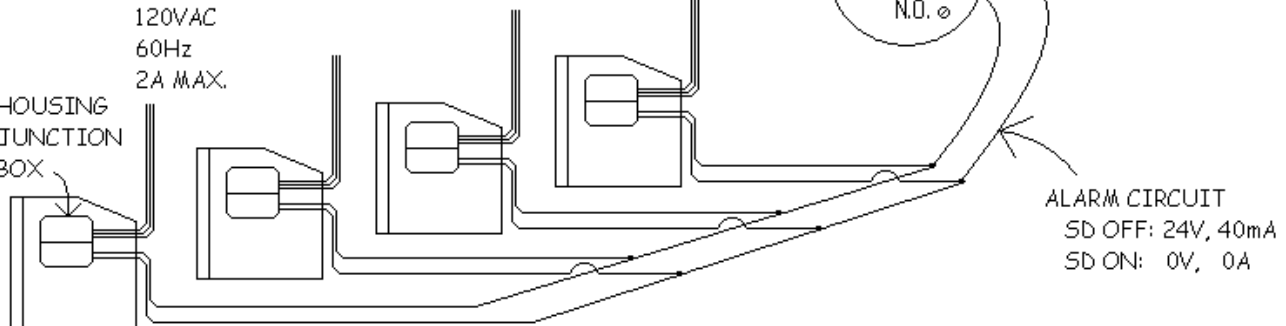
SMOKE DETECTOR BY OTHERS
SMOKE DETECTOR NORMALLY
CLOSED, DRY CONTACT,
OPENS ON ALARM

END-OF-LINE DIODE,
FURNISHED BY SMOKE
GUARD, AT INITIATING
DEVICE NOT AT HOUSING
3.9V 2W



120VAC
60Hz
2A MAX.

HOUSING
JUNCTION
BOX



ALARM CIRCUIT
SD OFF: 24V, 40mA
SD ON: 0V, 0A

UP TO 4 HOUSINGS CAN BE WIRED
TO THE END-OF-LINE DIODE AT THE
AUXILIARY CONTACT

HOUSING, SIDE VIEW

WIRING DIAGRAM--ALL ELECTRICAL BY OTHERS



Copyright 2007, Smoke Guard[®], Inc. All rights reserved.