



# IMPORTANT

**Read before beginning installation.**

## **Supplemental Instructions**

### *Installing an extra-wide M600*

M600 curtains 69" or wider require installation of additional components, included with this project.

In addition to the standard instructions in the *Installation Overview* and the *Wiring Guide*, refer to the instructions in this supplement for adding:

- magnets behind the rails
- steel plates to the magnet strips

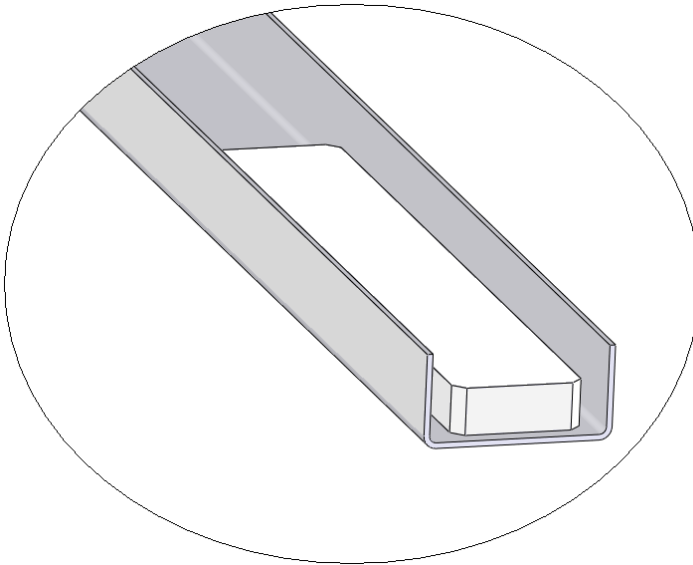
Smoke Guard Technical Services

800-215-6138

1 **BEFORE** you pop-rivet the rails over the backers:

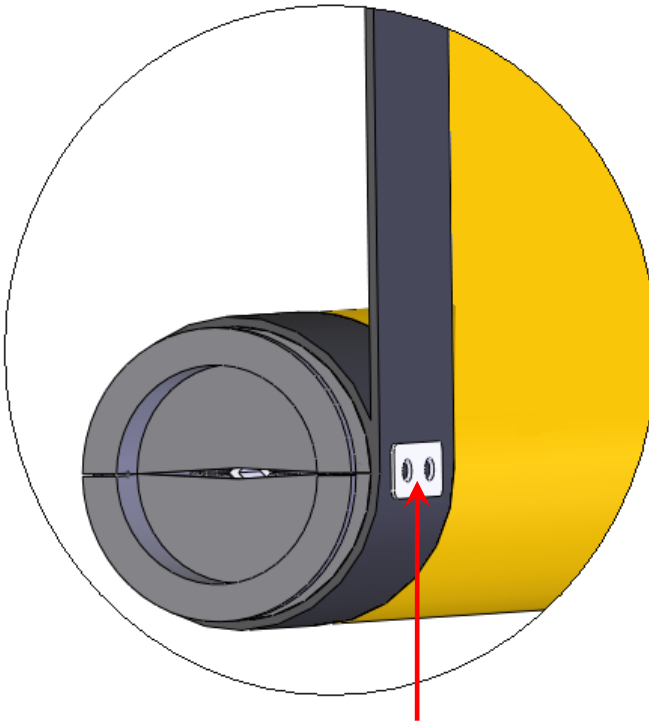
At the bottom of each rail, insert one of the furnished plastic trays of magnets against the rail.

Line up the bottom of the tray with the bottom of the rail.



## 2 When the curtain is anchored inside the housing:

Attach a steel plate (furnished) to the back side of each magnet strip where you anchor the curtain to the threshold.



Position the bottom plate where you would normally anchor the magnet roll to the threshold at the floor.

**NOTE:** Make sure that the screw heads are **FLUSH** with the surface of the magnet.

When you are finished, the plates should line up with the additional magnets in the rail.

